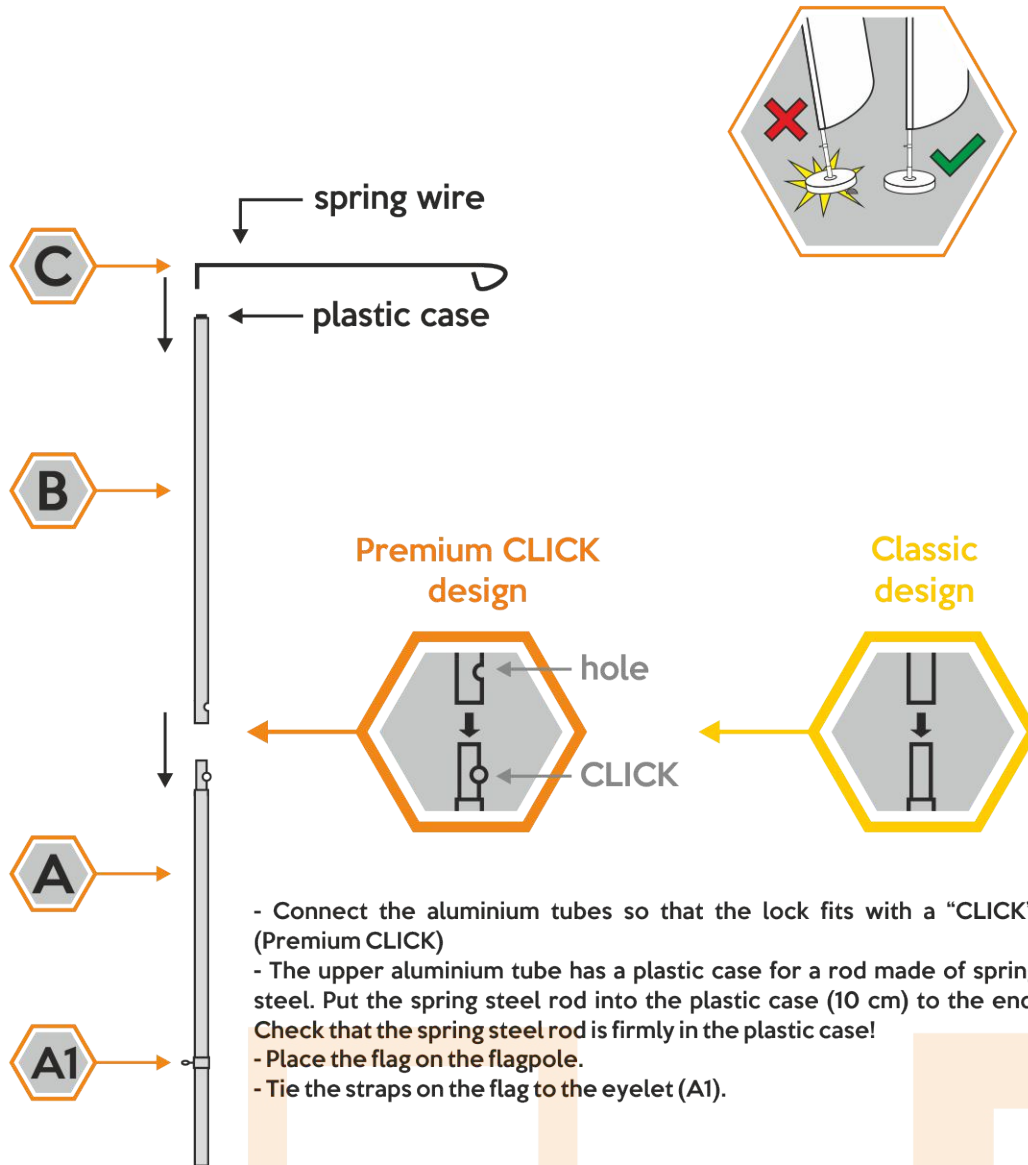


BEACHFLAG

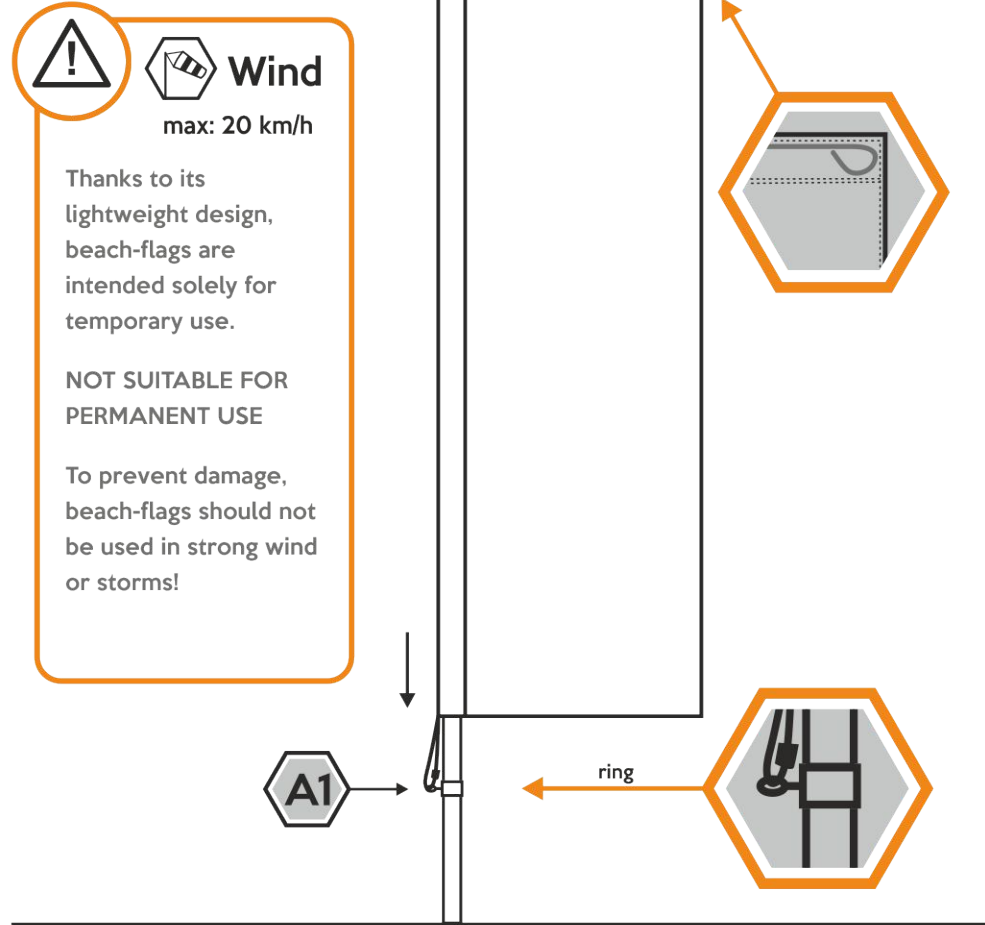
I. Installation of flagpole

A + B + C



BEACHFLAG

II. Installation of flag



N.B.:

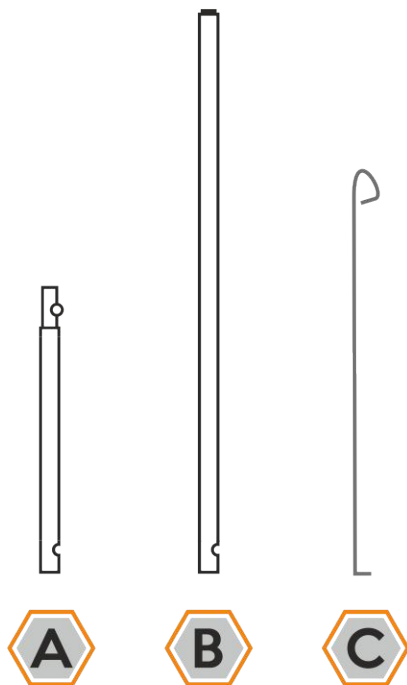
Please be advised that the flag should be washed before first use.

Care symbols: 100% POLYESTER

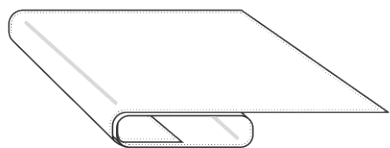
BEACHFLAG EGDE



EDGE 1,65



Aluminium
Art: E-0.65 / 1 / E75

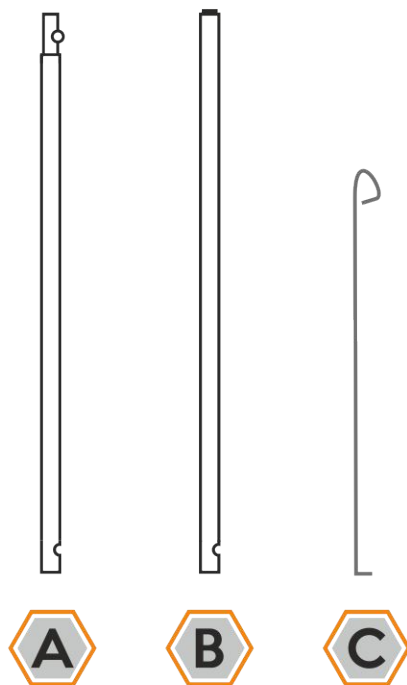


Flag

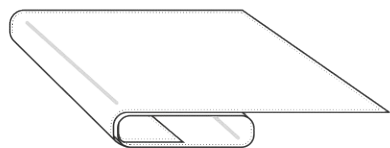


Transportbag

EDGE 2,0



Aluminium
Art: E-1 / 1 / E75

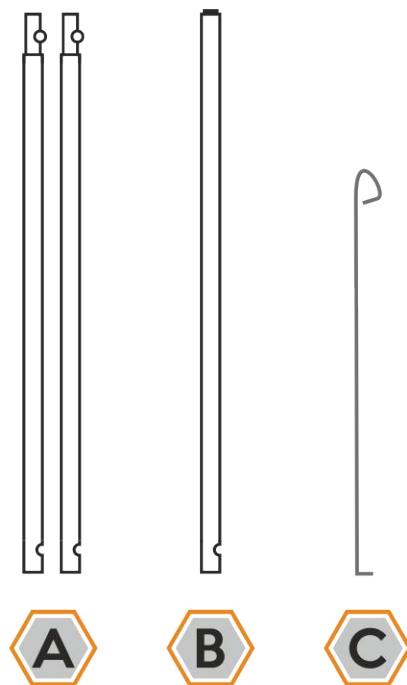


Flag

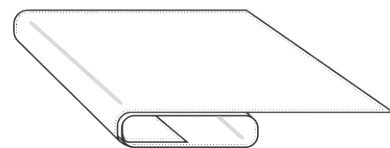


Transportbag

EDGE 3,0



Aluminium
Art: E-2 / 1 / E75

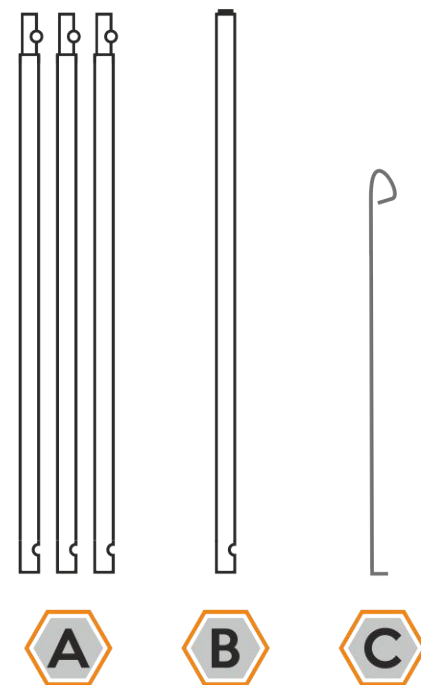


Flag

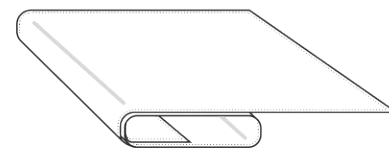


Transportbag

EDGE 4,0



Aluminium
Art: E-3 / 1 / E75



Flag



Transportbag