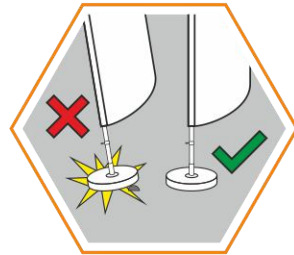
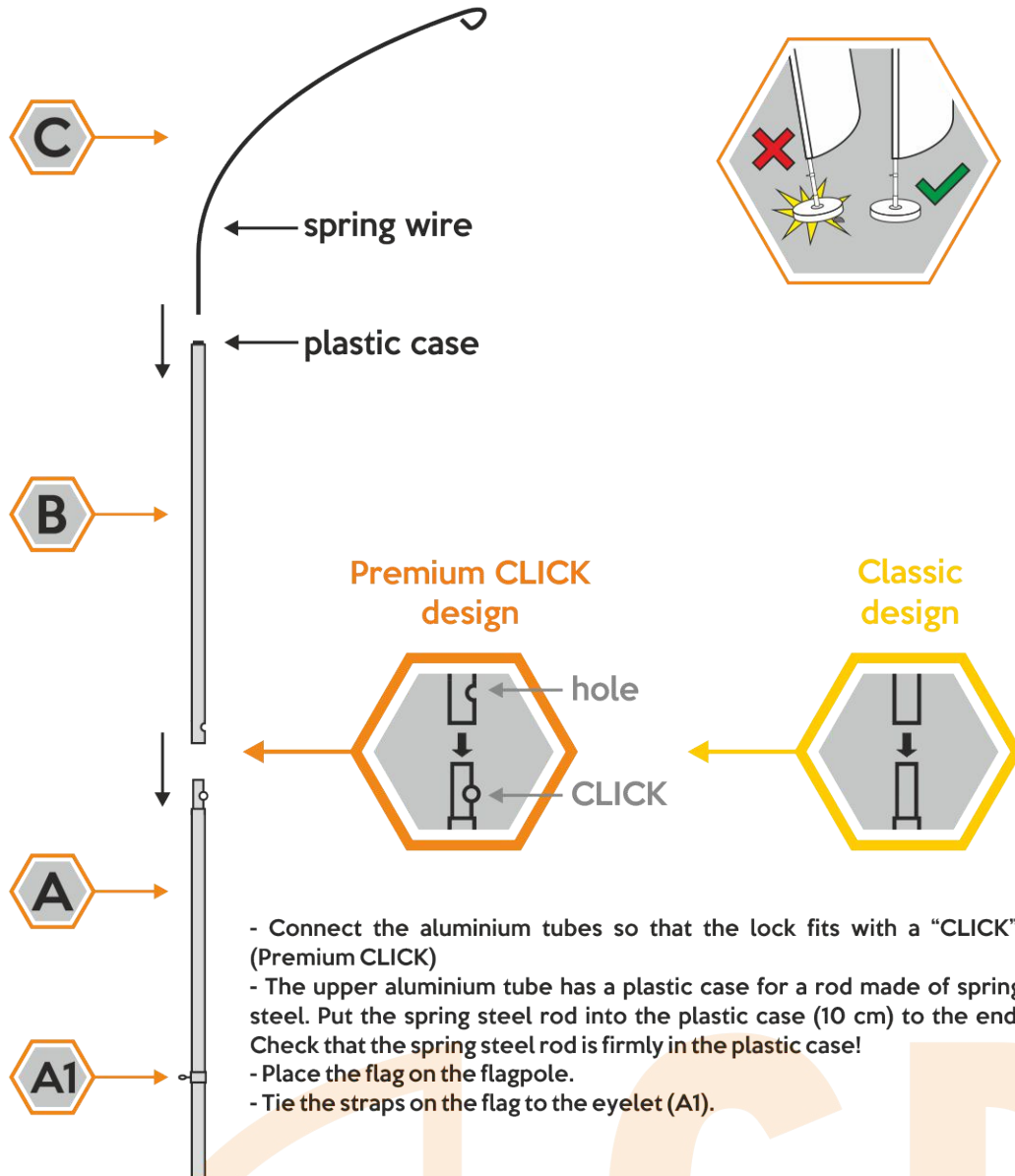


BEACHFLAG

I. Installation of flagpole

A + B + C



BEACHFLAG

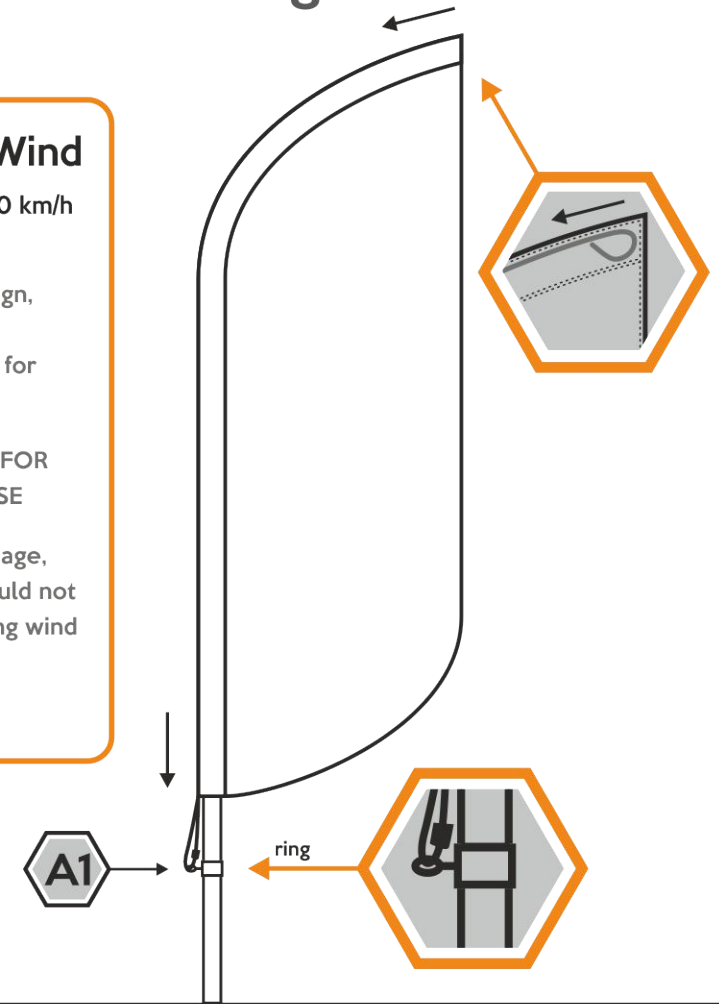
II. Installation of flag

! **Wind**
max: 20 km/h

Thanks to its lightweight design, beach-flags are intended solely for temporary use.

NOT SUITABLE FOR PERMANENT USE

To prevent damage, beach-flags should not be used in strong wind or storms!



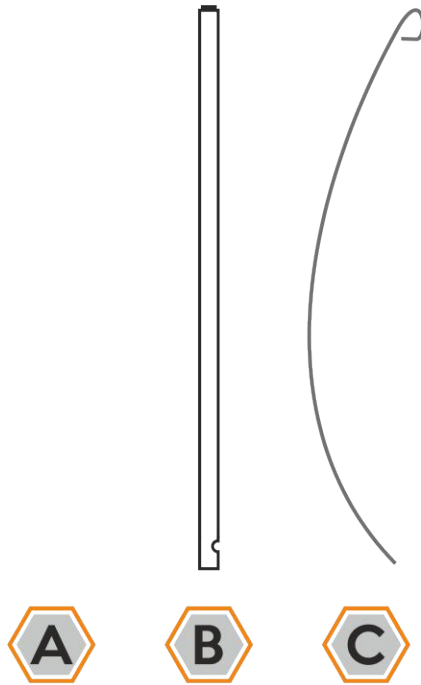
N.B.:

! Please be advised that the flag should be washed before first use.

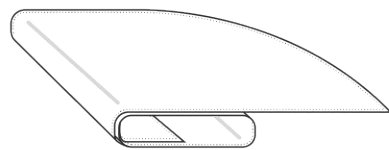
Care symbols: 100% POLYESTER

BEACHFLAG GRAND

GRAND 1,6



Aluminium
Art: G-0 / 1 / G1

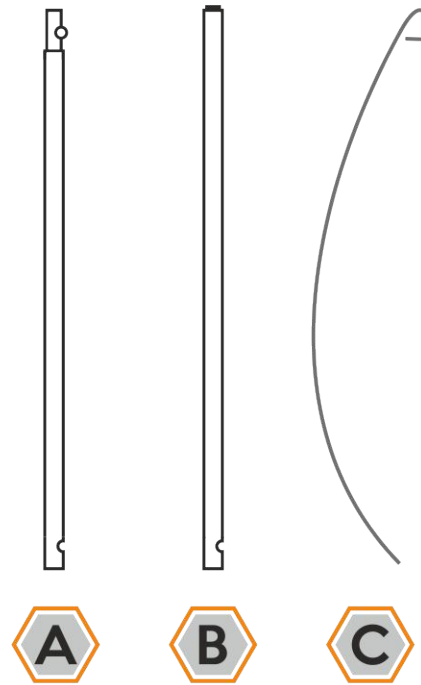


Flag

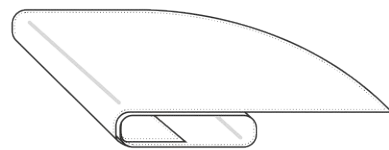


Transportbag

GRAND 2,6



Aluminium
Art: G-1 / 1 / G1

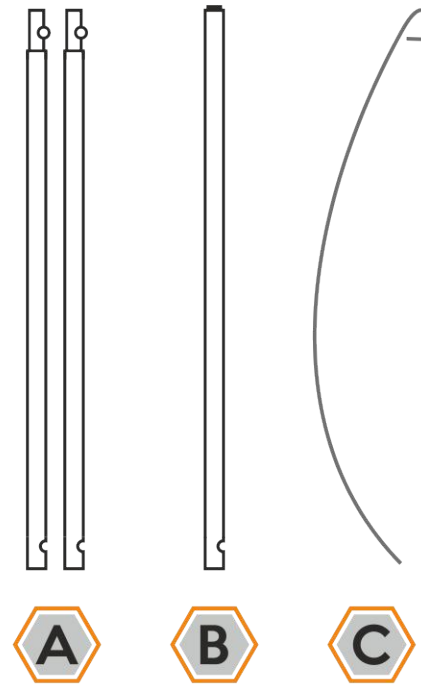


Flag

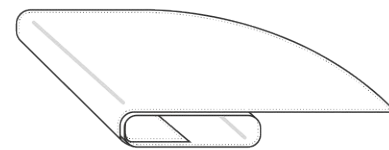


Transportbag

GRAND 3,6



Aluminium
Art: G-2 / 1 / G1

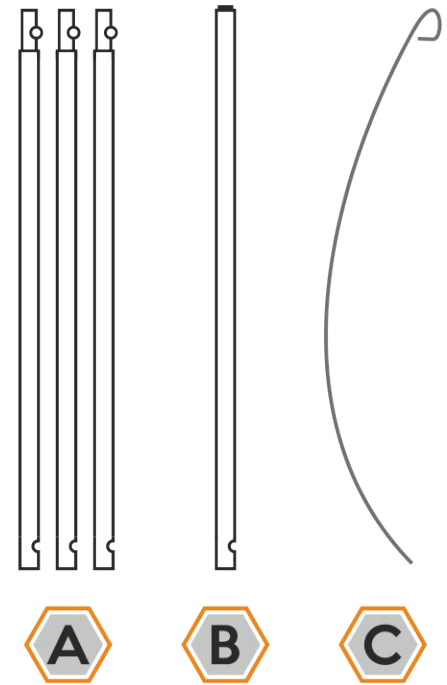


Flag

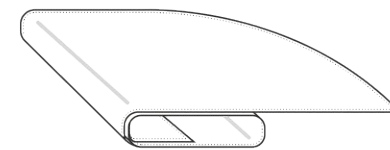


Transportbag

GRAND 4,6



Aluminium
Art: G-3 / 1 / G1



Flag



Transportbag